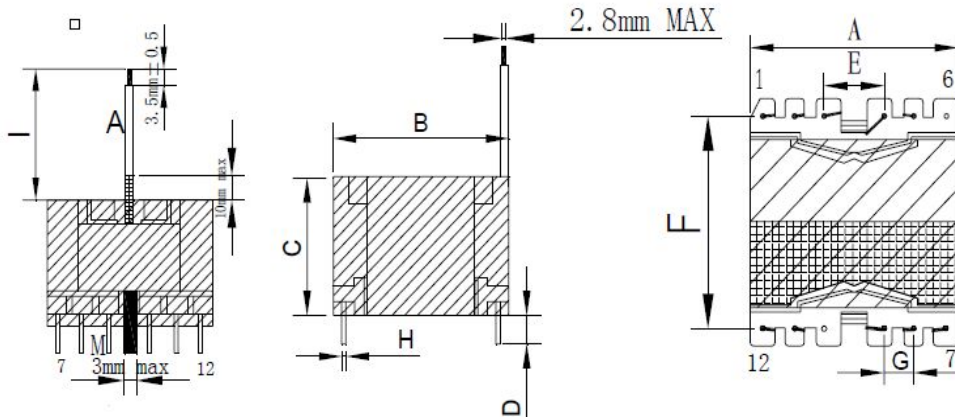


CUSTOMER TERMINAL	ROHS	Lead(Pb)-free
	YES	YES

## 1. Mechanical Dimensions



A	35.0	MAX
B	35.0	MAX
C	23.5	MAX
D	3.5	±0.5
E	7.6	±0.3
F	30.0	±0.4
G	5.0	±0.3
H	0.80	±0.1
I	35.0	±2.0

## 3. Material List

Core:FW44 PQ3220

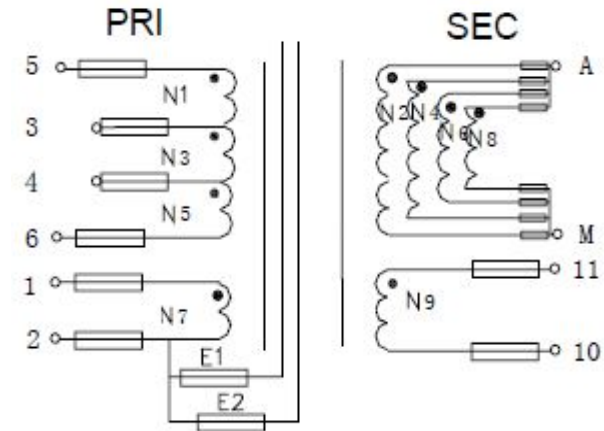
Bobbin:FWB3201-1(6+6PIN)

Wire:2UEW TIW

Copper foil:0.025t\*8.0mm

Operating Temperature: -30 to115 °C

## 2. Schematic Diagram



## 4. Electrical Specification

Inductance : L(5-6):330uH±5% 50KHZ , 1.0V

Leakage Inductance : 10uH MAX 50KHZ , 1.0V

DCR : (5-6):0.288Ω max (A-M):9.12mΩ max

Hi-Pot:P-S: AC 60Hz 4000V 2mA 3S

S-CORE: AC 60Hz 4000V 2mA 3S

REV.	DATE	<p>Convention Placement</p>	DRW.	Drawing Title:	Part No:		
0	00/00		CHK.			<b>TRANSFORMER</b>	FWPTPQ3220V331J
			APP.			Customer P/N	Specification Sheet 1of 1
<b>ROHS</b>		<a href="http://www.ferriwo.com">www.ferriwo.com</a>					